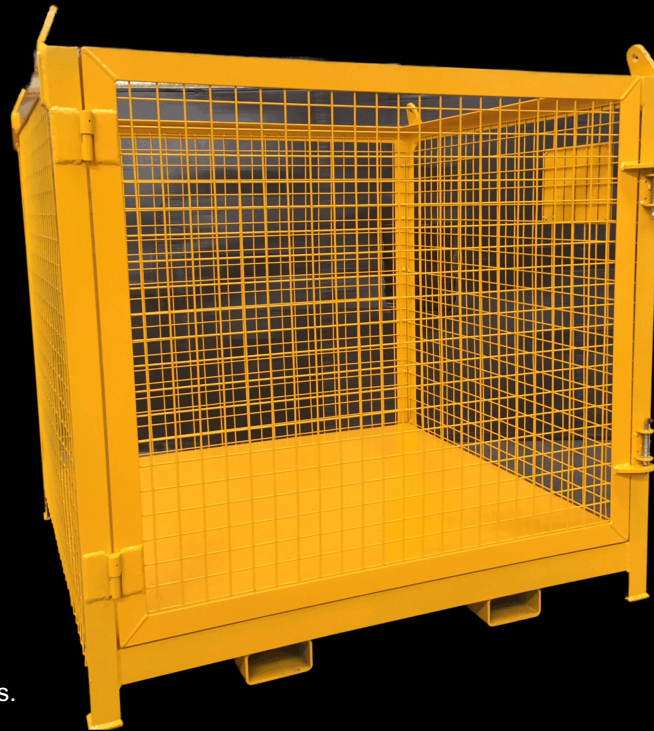


# 2t GOODS CAGE

WITH GATE

**Maxirig**

QUALITY LIFTING SOLUTIONS



Large enough to accommodate a full size pallet, this general purpose goods cage will handle palletized as well as loose goods.

MAXIRIG PRODUCT CODE

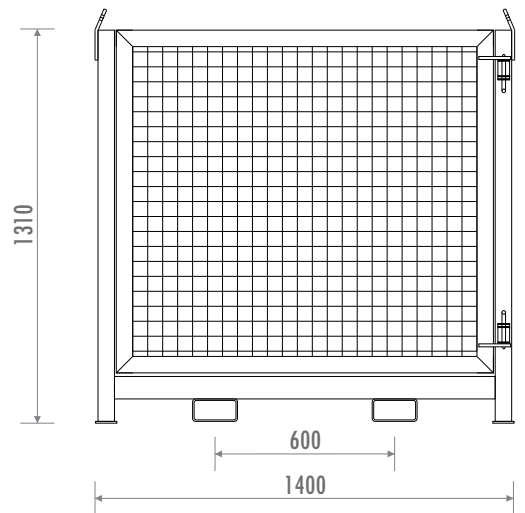
**GCG2201**

## DESCRIPTION

Work Load Limit:	2.0t (at 60° included sling angle)
Tare Weight:	0.255t
Dimensions:	1400mm (W) x 1400mm (L) x 1385mm
Finish:	Y14 Golden Yellow

## PRODUCT ASSURANCE

Parent Standard:	AS4991
Proof Load Testing	Yes
MPI Weld Inspection	Yes
Manufacturer's Guarantee	1 Year



**Not the right size for your application?**

Ask us about customizing this product to your requirements

KEY FEATURES

- ✓ Simple yet solid construction.
- ✓ Forklift tyne pockets (140mm x 65mm)
- ✓ Australian designed and made.



WE PROVIDE SUPERIOR QUALITY LIFTING PRODUCTS AUSTRALIA WIDE

All Maxirig products are designed and manufactured in Australia by our highly skilled team of engineers and boilermakers.

VISIT [WWW.MAXIRIG.COM.AU](http://WWW.MAXIRIG.COM.AU)