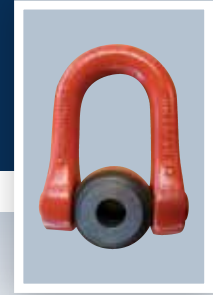


FE.DSS

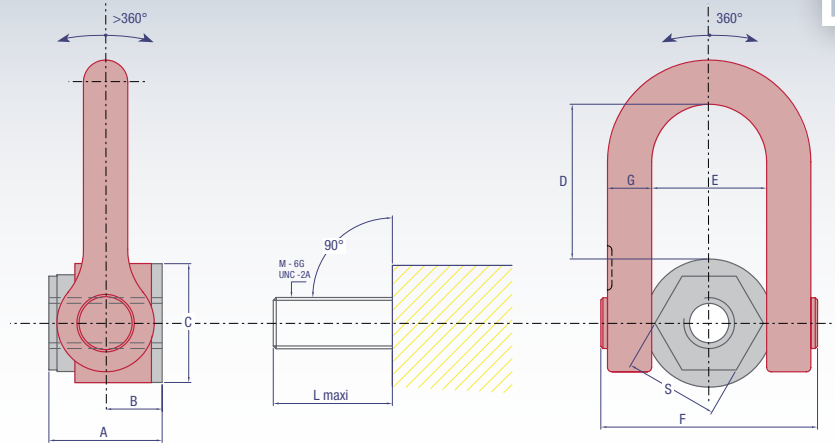
OUR QUALITY = YOUR SAFETY

FEMALE DOUBLE SWIVEL SHACKLE
ANNEAU DE LEVAGE UNIVERSEL FEMELLE
DOPPELWIRBELRINGSCHRAUBE MIT INNENGEWINDE
CÂNCAMO GIRATORIO UNIVERSAL 3.D HEMBRA



01-2014

HIGH TENSILE ■ HAUTE RESISTANCE ■ HOCHFEST ■ ALTA RESISTENCIA



www.codipro.net

1,000 LBS = 0,4536 TO

| Reference Référence Referenz | WLL CMU Höchstbelastung CMU | Safety factor Coef. sécurité Sicherheitsfaktor Coef. seguridad | Diameter Diamètre Durchmesser Diámetro | θ | P | L maxi | $\frac{N.m}{Foot.LBS}$ | S | A | B | C | D | E | F | G | Weight Poids Gewicht Peso |
|------------------------------------|--------------------------------------|---|---|----------|---|-----------|------------------------|----|----|----|----|-----|----|-----|----|------------------------------------|
| FE.DSS M24 | 4,5 TO | 5 | M24 (x3) | | | 66 | 160 | 50 | 66 | 31 | 70 | 104 | 73 | 145 | 29 | 5,8 Kg |
| FE.DSS M27 | 5 TO | 5 | M27 (x3) | | | 66 | 200 | 50 | 66 | 31 | 70 | 104 | 73 | 145 | 29 | 5,8 Kg |
| FE.DSS M30 | 7,3 TO | 5 | M30 (x3.5) | | | 66 | 250 | 50 | 66 | 31 | 70 | 104 | 73 | 145 | 29 | 5,8 Kg |
| FE.DSS M33 | 8 TO | 5 | M33 (x3.5) | | | 66 | 250 | 50 | 66 | 31 | 70 | 104 | 73 | 145 | 29 | 5,8 Kg |
| FE.DSS M36 | 10 TO | 5 | M36 (x4) | | | 66 | 320 | 50 | 66 | 31 | 70 | 104 | 73 | 145 | 29 | 5,8 Kg |
| FE.DSS M39 | 10 TO | 5 | M39 (x4) | | | 89 | 320 | 60 | 89 | 38 | 95 | 125 | 91 | 184 | 36 | 12 Kg |
| FE.DSS M42 | 12,5 TO | 5 | M42 (x4.5) | | | 89 | 400 | 60 | 89 | 38 | 95 | 125 | 91 | 184 | 36 | 12 Kg |
| FE.DSS M45 | 15 TO | 4 | M45 (x4.5) | | | 89 | 400 | 60 | 89 | 38 | 95 | 125 | 91 | 184 | 36 | 12 Kg |
| FE.DSS M48 | 20 TO | 4 | M48 (x5) | | | 89 | 600 | 60 | 89 | 38 | 95 | 125 | 91 | 184 | 36 | 12 Kg |
| FE.DSS M52 | 20 TO | 4 | M52 (x5) | | | 89 | 600 | 60 | 89 | 38 | 95 | 125 | 91 | 184 | 36 | 12 Kg |
| FE.DSS U100 | 10,000 LBS | 5 | UNC 1"-8 | | | 66 | 125 _{FL} | 50 | 66 | 31 | 70 | 104 | 73 | 145 | 29 | 5,8 Kg |
| FE.DSS U125 | 14,000 LBS | 5 | UNC 1"1/4-7 | | | 66 | 200 _{FL} | 50 | 66 | 31 | 70 | 104 | 73 | 145 | 29 | 5,8 Kg |
| FE.DSS U138 | 20,000 LBS | 5 | UNC 1"3/8-6 | | | 66 | 300 _{FL} | 50 | 66 | 31 | 70 | 104 | 73 | 145 | 29 | 5,8 Kg |
| FE.DSS U150 | 20,000 LBS | 5 | UNC 1"1/2-6 | | | 89 | 300 _{FL} | 60 | 89 | 38 | 95 | 125 | 91 | 184 | 36 | 12 Kg |
| FE.DSS U200 | 50,000 LBS | 4 | UNC 2"-4 1/2 | | | 89 | 450 _{FL} | 60 | 89 | 38 | 95 | 125 | 91 | 184 | 36 | 12 Kg |



Plane hole or other threads on demand / Trou lisse ou autres variantes de taraudage sur demande /
 Glatte Bohrung oder andere Gewindgänge auf Anfrage / Agujero roscado pasante u otras variantes de rosca hembra bajo petición



www.codipro.net ■ info@codipro.net

Luxembourg : Zone d'Activités Salzbaach ■ L - 9559 WILTZ ■ BP 100 L - 9502 WILTZ ■ Tél. +352 26 81 54-1 ■ Fax +352 81 05 17

France : 9, Boulevard des Ravalières Z.A. ■ F - 72560 CHANGÉ ■ Tél. +33(0)2 43 40 17 00 ■ Fax +33(0)2 43 40 07 99